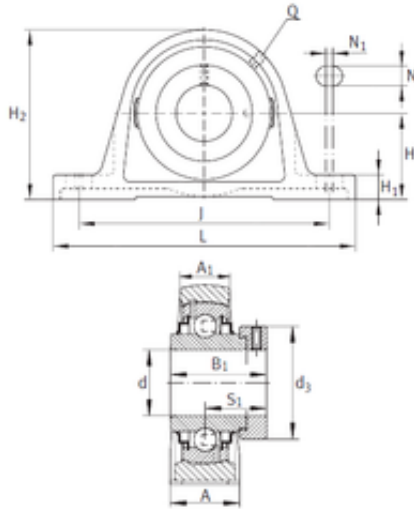




NTN PRECISION AXLE CORP.



INA RASE1-3/16 bearing units

Bearing No. RASE1-3/16

Bore Diameter	30,163 mm
d	30,163 mm
S1	30,201 mm
Thread (Q)	1/8 NPT
d3	43,993 mm
A	42,495 mm
A1	27,001 mm
B	48,489 mm
H	42,901 mm
H1	18,009 mm
H2	83,389 mm
J	117,501 mm
L	157,2 mm
N	15,012 mm
N1	9,5 mm
Category	Pillow Block Bearings
Inventory	0.0
Manufacturer Name	SCHAEFFLER GROUP
Minimum Buy Quantity	N/A
Weight / Kilogram	1.56
Product Group	M06110
Number of Mounting Holes	2
Mounting Method	Eccentric Collar
Housing Style	2 Bolt Pillow Block
Rolling Element	Ball Bearing
Housing Material	Cast Iron

RASE1-3/16 Bearing 2D drawings and 3D CAD models



NTN PRECISION AXLE CORP.

Expansion / Non-expansion	Non-expansion
Relubricatable	Yes
Insert Part Number	G1103KRRB
Seals	Double Land Riding Rubber Contact
Housing Configuration	1 Piece Solid
Inch - Metric	Inch
Other Features	Single Row Standard Shaft Height With Set Screw
Long Description	2 Bolt Pillow Block; 1-3/16" Bore; 1-11/16" Base to Center Height; Eccentric Collar Mount; Ball Bearing; 4.252" Minimum Bolt Spacing; 5" Bolt Spacing Maximum; Relubricatable; Cast
Category	Pillow Block
UNSPSC	31171511
Harmonized Tariff Code	8483.20.40.40
Noun	Bearing
Keyword String	Pillow Block
Manufacturer URL	http://www.ina.com
Manufacturer Item Number	RASE1-3/16
Weight / LBS	2.867
Bolt Spacing Maximum	5 Inch 127Millimeter
Length Thru Bore	1.906 Inch 48.42 Millimeter
Base to Center Height	1.688 Inch 42.875 Millimeter
Nominal Bolt Center to Center	4.8 Inch 121 Millimeter
Actual Bolt Center to Center	0 Inch 0Millimeter
Bore	1.188 Inch 30.175 Millimeter



NTN PRECISION AXLE CORP.

Bolt Spacing Minimum	4.252 Inch 108Millimeter
----------------------	----------------------------