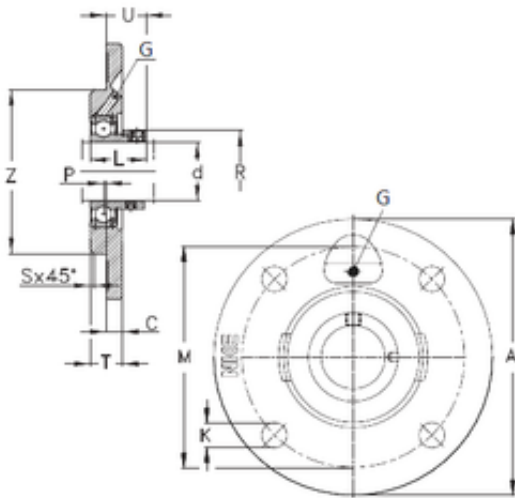




NTN PRECISION AXLE CORP.

NKE PMEY45 bearing units

Bearing No. PMEY45



PMEY45 Bearing 2D drawings and 3D CAD models

Bore Diameter	45 mm
d	45 mm
P	2 mm
U	28,5 mm
K	14 mm
Z	105 mm
A	155 mm
C	12 mm
L	41,5 mm
M	130 mm
S	2 mm
T	25 mm
Thread (G)	M6