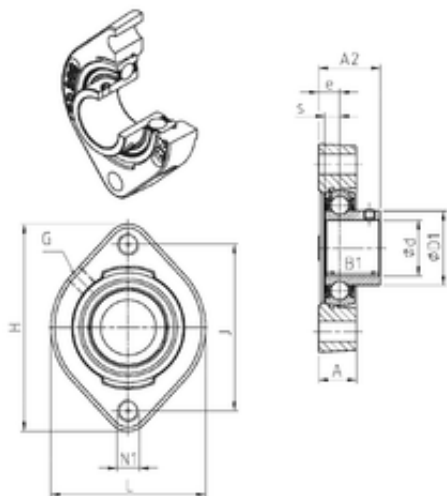




NTN PRECISION AXLE CORP.

SNR USFD202M100 bearing units

Bearing No. USFD202M100



USFD202M100 Bearing 2D drawings and 3D CAD models

Bore Diameter	15 mm
d	15 mm
e	8,4 mm
s	6 mm
A	15 mm
B1	22 mm
D1	24,6 mm
H	81 mm
J	63,5 mm
L	58,7 mm
Thread (G)	M6x1
A2	24,4 mm
Thread (N1)	M6
Weight	0,3 Kg
Basic dynamic load rating (C)	9,55 kN