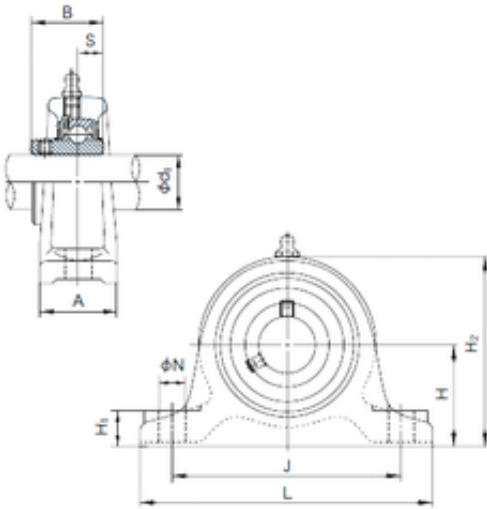




NTN PRECISION AXLE CORP.

NACHI UCIP318 bearing units

Bearing No. UCIP318



UCIP318 Bearing 2D drawings and 3D CAD models

Bore Diameter	90 mm
Width	96 mm
d	90 mm
A	85 mm
B	96 mm
H	130 mm
H1	45 mm
H2	260 mm
J	330 mm
L	400 mm
N	29 mm
S	40 mm
Bolt (G)	M24