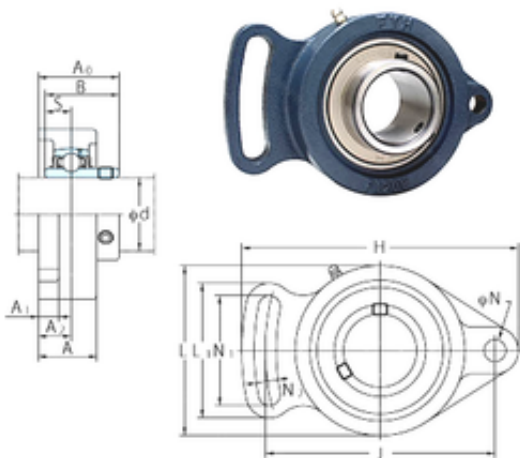




NTN PRECISION AXLE CORP.

FYH UCFA210-32 bearing units

Bearing No. UCFA210-32



UCFA210-32 Bearing 2D drawings and 3D CAD models

Bore Diameter	50,8 mm
d	50,8 mm
A0	55,1 mm
A	40 mm
A1	14 mm
B	51,6 mm
H	189 mm
J	157 mm
L	116 mm
L1	92 mm
N	15 mm
N1	75 mm
S	19 mm
Bolt (G)	M14
A2	22,5 mm
N2	15 mm
Weight	2 Kg
Basic dynamic load rating (C)	35,1 kN
Basic static load rating (C0)	23,3 kN