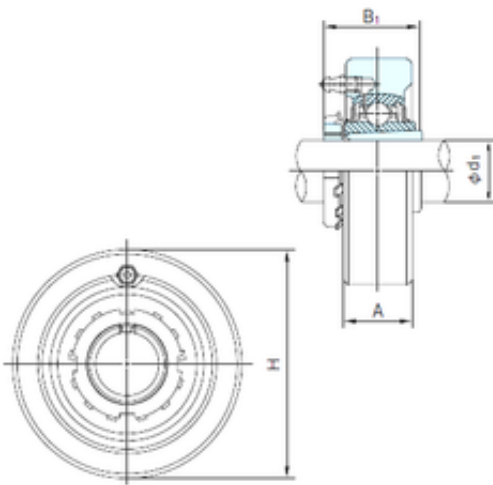




NTN PRECISION AXLE CORP.

NACHI UKCX06+H2306 bearing units

Bearing No. UKCX06+H2306



Bore Diameter	25 mm
Width	100 mm
d	25 mm
A	30 mm
B1	38 mm
H	100 mm

UKCX06+H2306 Bearing 2D drawings and 3D CAD models