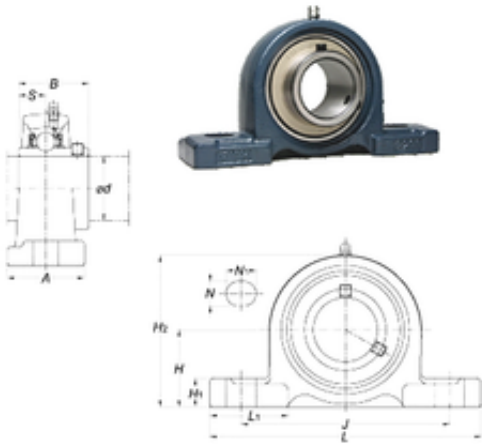




# NTN PRECISION AXLE CORP.

## FYH UCP211-35 bearing units

Bearing No. UCP211-35



UCP211-35 Bearing 2D drawings and 3D CAD models

Bore Diameter	55,5625 mm
Width	55,6 mm
d	55,5625 mm
A	60 mm
B	55,6 mm
H	63,5 mm
H1	19 mm
H2	125 mm
J	171 mm
L	219 mm
L1	70 mm
N	20 mm
N1	22 mm
S	22,2 mm
Bolt (G)	M16
Weight	3,6 Kg
Basic dynamic load rating (C)	43,4 kN
Basic static load rating (C0)	29,4 kN