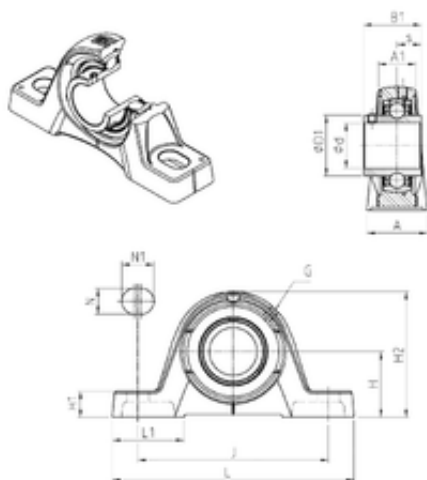




NTN PRECISION AXLE CORP.



SNR UCPE209 bearing units

Bearing No. UCPE209

Bore Diameter	45 mm
d	45 mm
s	19 mm
A	48 mm
A1	32 mm
B1	49,2 mm
D1	57,2 mm
H	54 mm
H1	21,5 mm
H2	107 mm
J	150 mm
L	192 mm
L1	54,5 mm
N	14 mm
N1	29 mm
Thread (G)	R1/8"
Weight	2,2 Kg
Basic dynamic load rating (C)	31,85 kN

UCPE209 Bearing 2D drawings and 3D CAD models