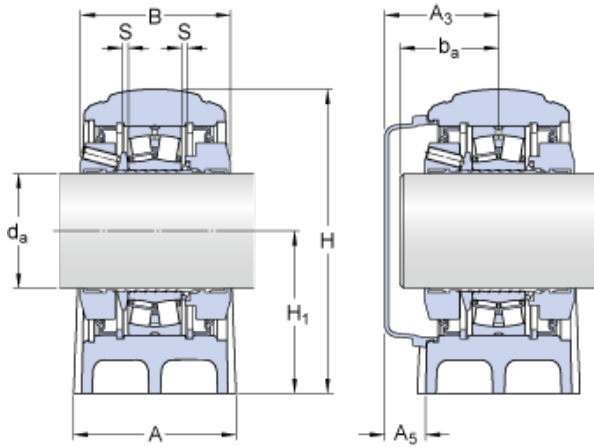




NTN PRECISION AXLE CORP.



SKF SYNT 55 LW bearing units

Bearing No. SYNT 55 LW

Size	55x70x65 mm
Bore Diameter	55 mm
Outer Diameter	70 mm
Width	65 mm
d_a	55 mm
A	70 mm
B	65 mm
H	137 mm
H_1	70 mm
H_2	30 mm
J	210 mm
L	255 mm
H	24 mm
N_1	18 mm
S	2.5 mm
J_6	234 mm
J_7	26 mm
N_4 - max.	8 mm
A_3	66 mm
A_5	34 mm
b_a - min.	34 mm
b_a - max.	55 mm
Basic dynamic load rating - C	125 kN
Basic static load rating - C_0	137 kN

SYNT 55 LW Bearing 2D drawings and 3D CAD models



NTN PRECISION AXLE CORP.

Fatigue load limit - P_u	13.7 kN
Limiting speed	3100 r/min
Calculation factor - e	0.24
Calculation factor - Y_1	2.8
Calculation factor - Y_2	4.2
Diameter - d_m	77.5 mm
Basic Designation bearing	22211 E
P_a	15 kN
P_{0°	210 kN
P_{55°	350 kN
P_{90°	210 kN
P_{120°	140 kN
P_{150°	120 kN
P_{180°	150 kN
Mass bearing unit	6 kg
d_a	55 mm
H_1	70 mm
H_2	30 mm
N	24 mm
N_1	18 mm
A_3	66 mm
A_5	34 mm
b_a min.	34 mm
b_a max.	55 mm
J_6	234 mm
J_7	26 mm
N_4 max.	8 mm
Basic dynamic load rating C	125 kN
Basic static load rating C_0	137 kN
Fatigue load limit P_u	13.7 kN



NTN PRECISION AXLE CORP.

Calculation factor e	0.24
Calculation factor Y_1	2.8
Calculation factor Y_2	4.2
Bearing mean diameter d_m	77.5 mm
P_{0°	210 kN
P_{55°	350 kN
P_{90°	210 kN
P_{120°	140 kN
P_{150°	120 kN
P_{180°	150 kN
P_a	15 kN
Attachment bolt diameter G	16 mm
Tightening torque for attachment bolts	200 N · m
Grub screws	3 x M 6
Tightening torque for grub screws	8 N · m