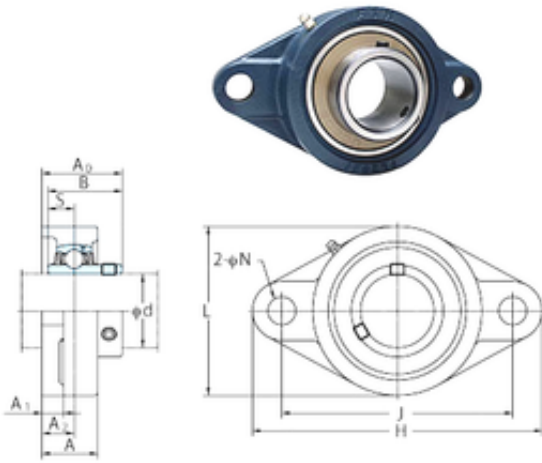




NTN PRECISION AXLE CORP.

FYH UCFL324 bearing units

Bearing No. UCFL324



UCFL324 Bearing 2D drawings and 3D CAD models

Bore Diameter	120 mm
d	120 mm
A0	140 mm
A	110 mm
A1	48 mm
B	126 mm
H	520 mm
J	430 mm
L	330 mm
N	47 mm
S	51 mm
Bolt (G)	13,5
Bolt (G)	M42
A2	65 mm
Weight	51,6 Kg
Basic static load rating (C0)	207 kN