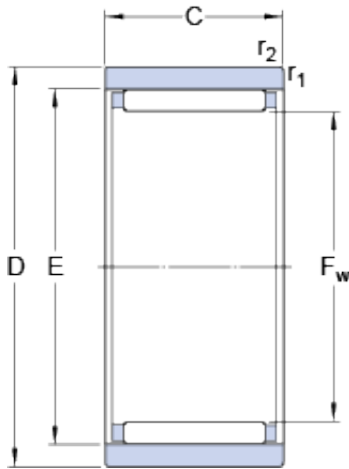




NTN PRECISION AXLE CORP.



SKF RNAO 40x50x17 cylindrical roller bearings

Bearing No. RNAO 40x50x17

RNAO 40x50x17 Bearing 2D drawings and 3D CAD models

Size	50x40x17 mm
Bore Diameter	50 mm
Outer Diameter	40 mm
Width	17 mm
F_w	40 mm
D	50 mm
C	17 mm
E	45 mm
$r_{1,2} - \text{min.}$	0.3 mm
d_a	44.4 mm
D_a	45.5 mm
D_b	40.6 mm
$r_a - \text{max.}$	0.3 mm
Basic dynamic load rating - C	20.5 kN
Basic static load rating - C_0	41.5 kN
Fatigue load limit - P_u	5 kN
Reference speed	10000 r/min
Limiting speed	12000 r/min
F_w	40 mm
$r_{1,2} \text{ min.}$	0.3 mm
d_a	44.4 mm
D_a	45.5 mm
D_b	40.6 mm
$r_a \text{ max.}$	0.3 mm
Basic dynamic load rating C	20.5 kN



NTN PRECISION AXLE CORP.

Basic static load rating C_0	41.5 kN
Fatigue load limit P_u	5 kN
Mass bearing	0.074 kg