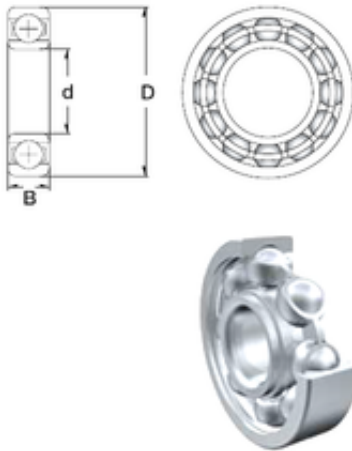




NTN PRECISION AXLE CORP.

8 mm x 22 mm x 7 mm ZEN 608 deep groove ball bearings



Bearing No. 608

Size	8x22x7 mm
Bore Diameter	8 mm
Outer Diameter	22 mm
Width	7 mm
d	8 mm
D	22 mm
B	7 mm
C	7 mm
Basic dynamic load rating (C)	3,293 kN
Basic static load rating (C0)	1,379 kN
(Grease) Lubrication Speed	34000 r/min

608 Bearing 2D drawings and 3D CAD models